

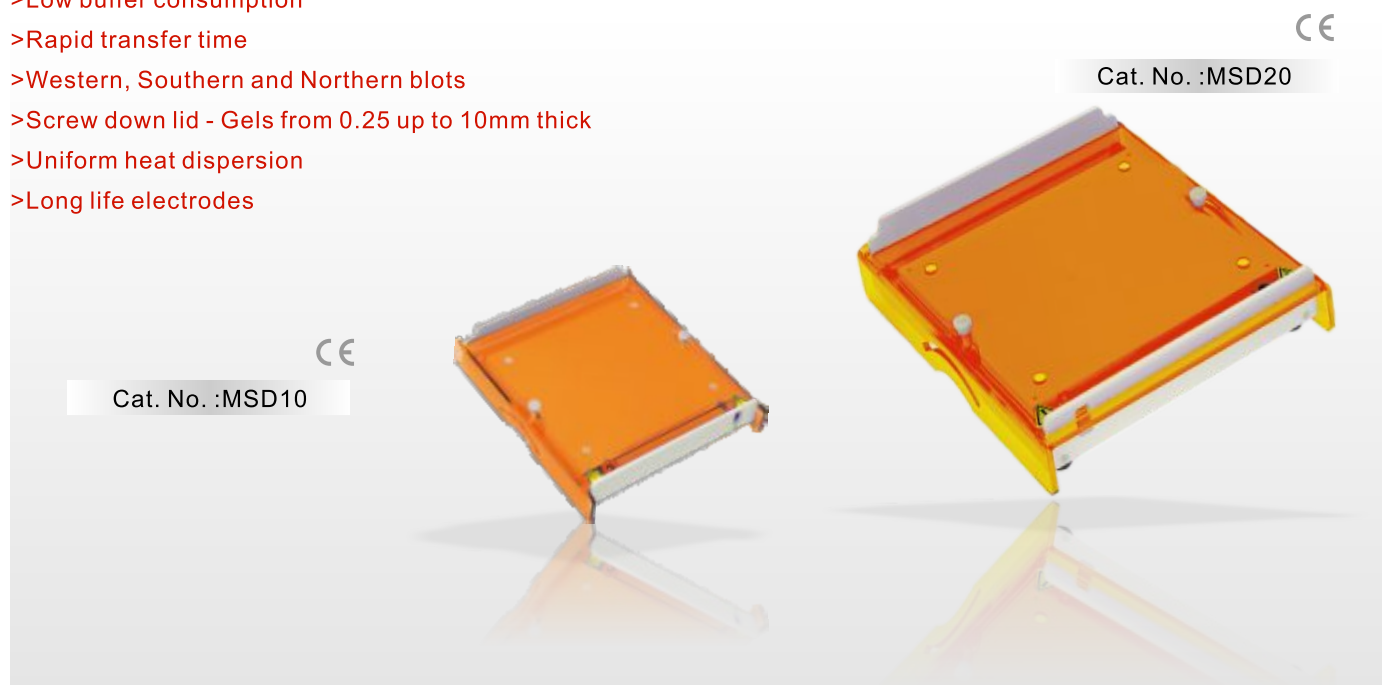
Semi Dry Mini and Semi Dry Midi

Semi Dry Mini and Semi Dry Midi

Semi Dry Mini offers rapid transfer times for DNA, RNA and protein blotting, typically 15 to 30 minutes. It can be used for all types of blotting, western, southern and northern via uncomplicated buffer and set up procedures and are compatible with gel thicknesses from 0.25 up to 10mm. The unit is compatible with its respective vertical electrophoresis system. It only requires very low buffer volume, typically only a few milliliters of buffer per transfer. A screw down lid secures the blot sandwich and allows complete control of pressure ensuring even transfer. The electrodes, comprising platinum coated anode and stainless steel cathode, will exhibit practically no corrosion and so provides many years of trouble free use. Uniform heat dispersion across the blot sandwich ensures stable transfer times and no heat induced sample loss or transfer distortions. It also allows viewing of the blot sandwich to ensure correct positioning and transfer is occurring correctly. Electrode plates are fully separated to prevent arching or damage.

Features

- >Low buffer consumption
- >Rapid transfer time
- >Western, Southern and Northern blots
- >Screw down lid - Gels from 0.25 up to 10mm thick
- >Uniform heat dispersion
- >Long life electrodes



Specification	MSD10	MSD20
Unit Dimension (W x L x H)	160 x 160 x 70mm	260 x 260 x 70mm
Gel Dimension (W x L)	100 x 100mm	200 x 200mm
Max Sample	1 Blot, 100 x 100mm	1 Blot, 200 x 200mm 4 Blots, 100 x 100mm
Buffer Volume	5ml	20ml
Accommodate Gel Thickness	0.25 ~ 10mm	
Economic Transfer	Yes	
Construction	Durable, leak proof environment for complete safety and long life	



Ordering Information

MSD10	Semi Dry Mini, 10 x 10cm System
MSD20	Semi Dry Midi, 20 x 20cm System



Contact Information

www.majorsci.com

info@majorsci.com

19959 Sea Gull Way
Saratoga, CA 95070
U.S.A

T/1-408-366-9866

F/1-408-446-1107

Innovative Life Sciences Tools