

Get More!

Uniquely efficient: Eppendorf Deepwell Plates 96 and 384

eppendorf

Simply More!

Eppendorf Deepwell Plates 96 and 384

Our **Eppendorf Deepwell Plates 96 and 384** bring more, give more and do more for all who want more: More reliability. More efficiency. More stability. More success. And more enjoyment in work. Their optimized RecoverMax design maximizes the recovery of valuable samples and minimizes the contamination risk. Large and easy-to-read "OptiTrack" alpha-numeric coding on each plate eases identification of individual wells, thus reducing the risk error. Using only the highest quality raw materials and an innovative production process these plates set new standards in terms of purity, stability, centrifuge and automation compatibility.

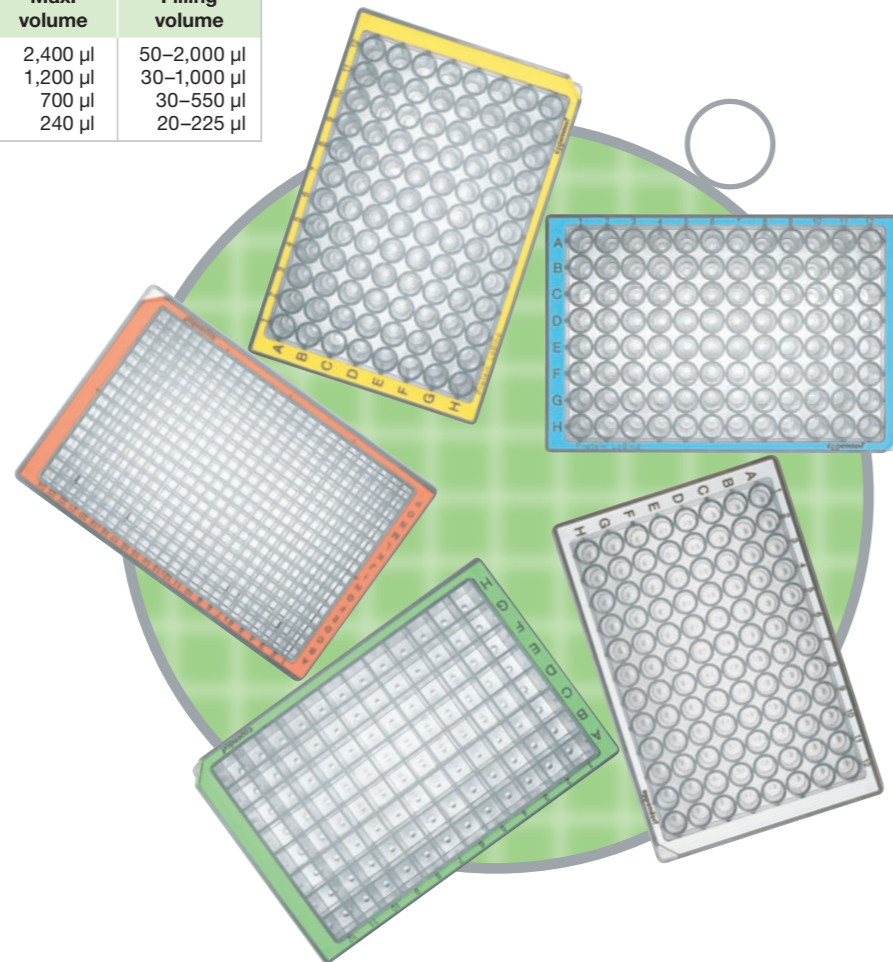
Product features:

- **RecoverMax® well design** enables faster work processes and yields better results
- Exclusive **OptiTrack® matrix**: Five border colors and high-contrast labeling
- **g-safe®**: Centrifuging stability up to 6,000 × g
- Excellent stability and precision in automated processes
- Excellent sealing properties
- DNA LoBind and Protein LoBind variants for better assay results

Also on the internet: www.eppendorf.com/dwp

Eppendorf Deepwell Plate	Number of wells	Max. volume	Filling volume
96/2000 µl	96	2,400 µl	50–2,000 µl
96/1000 µl	96	1,200 µl	30–1,000 µl
96/500 µl	96	700 µl	30–550 µl
384/200 µl	384	240 µl	20–225 µl

- Give your lab a splash of color! Our Eppendorf Deepwell Plates 96 and 384 are available in five vibrant colors



Perfect Geometry

RecoverMax®: more practical handling, better results

Perfect Design.

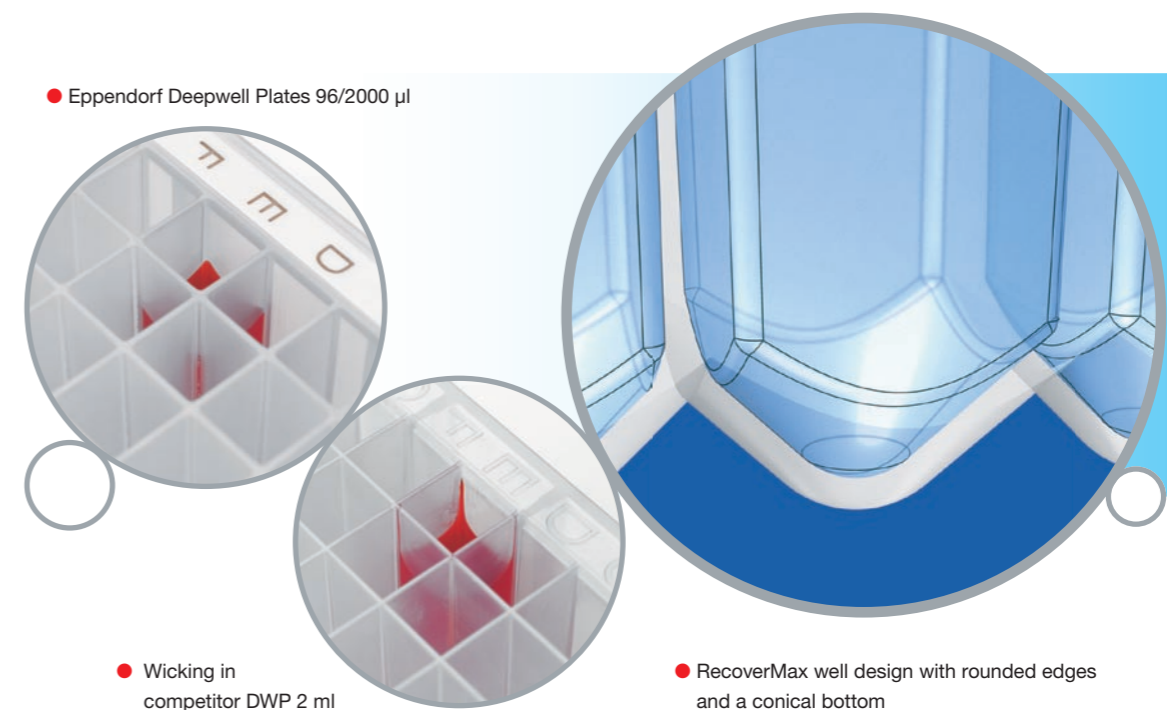
Our new Deepwell Plates features the smoothest transitions between the walls and the bottoms of each well. The special roundness of these wells, a key aspect of the **RecoverMax** design, means the liquid collects in the center of the well bottom. This in turn, speeds up the pipetting, resuspension and mixing processes considerably both in manual operations, and when using automated liquid-handling devices, such as our *epMotion*.

RecoverMax prevents unwanted contamination by preventing "wicking" and eliminating any contact with foils or mats, which could cause samples to enter adjacent wells.

The benefits: great protection against liquid and sample losses, improved yields – especially with small volumes – as well as faster and more efficient sample processing. And did we mention these plates are ideal for long-term storage?

RecoverMax features

- Optimized well geometry for high sample recovery
- Rounded transitions from well walls to well bottoms
- Conical, rounded well bottoms
- Significant reduction in wicking
- Excellent centrifugation and automation
- Excellent mixing properties
- Simplified resuspension



● Eppendorf Deepwell Plates 96/2000 µl

● Wicking in competitor DWP 2 ml

● RecoverMax well design with rounded edges and a conical bottom

Better, Tougher and more Colorful

OptiTrack® matrix: fast and easy sample locating

Brighten up your workday!

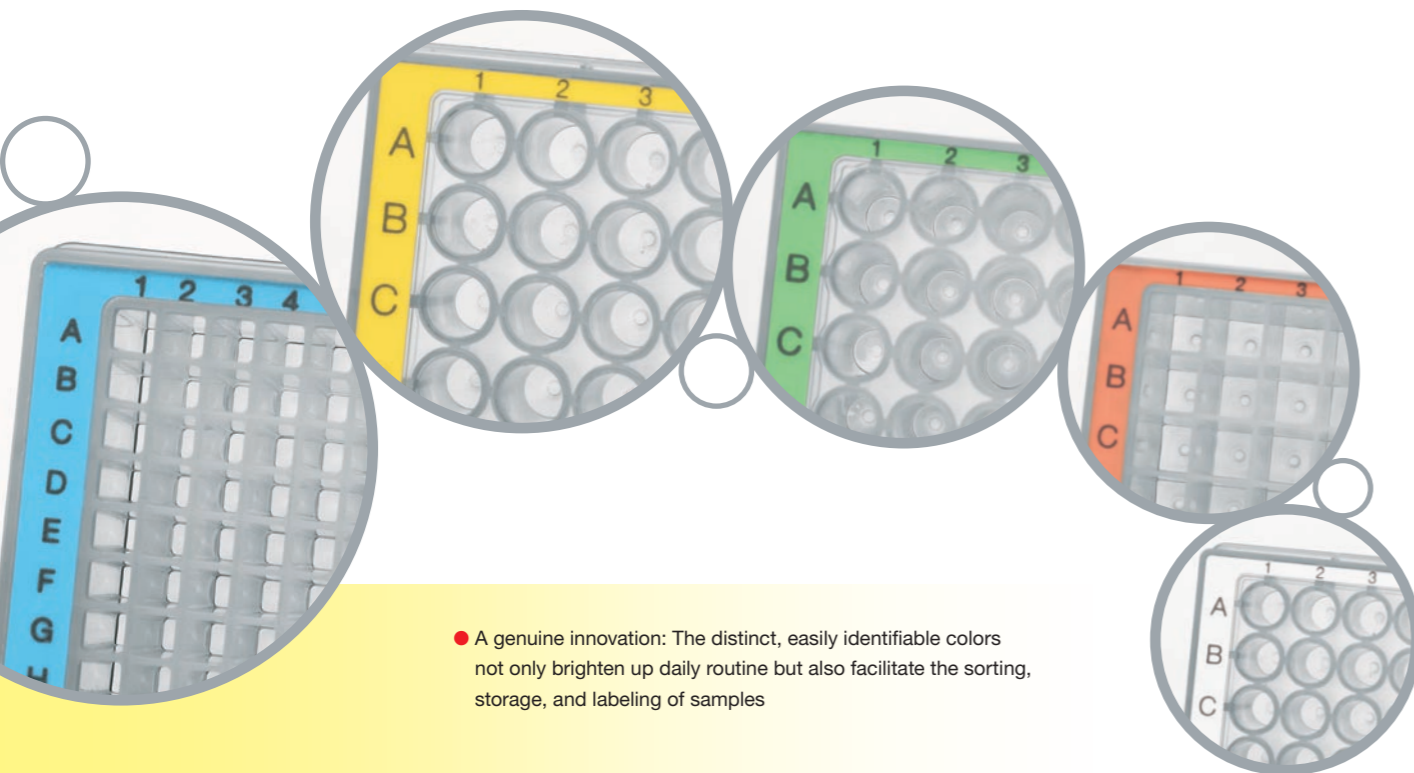
What colors do you prefer? Our Deepwell Plates come in white, yellow, red, green or blue. Their **OptiTrack** matrix makes work easier by combining a vibrantly colored border and high-contrast, alphanumeric labeling system. Whether you are looking through safety goggles or reflecting windows, or quickly reaching into the refrigerator: Thanks to **OptiTrack**, identifying the correct plate and well is fast and easy.

The variety of color options and error-safe labeling system prevent mislabeling and errors, facilitate assignment to researchers, laboratories, defined process steps or experiments. Never before has sample processing been so colorful and convenient.

The **OptiTrack** borders and alphanumeric on the top of the plates are UV- and chemical-resistant and will therefore not get washed off by solvents. The wells themselves and the other areas of the plates are colorless and transparent for a perfect view inside the wells or inspecting the underside.

OptiTrack matrix product features

- Five border colors to choose from
- Simple orientation, even in stacks
- High-contrast, easy-to-read alphanumeric labeling
- 30 % faster well location
- Chemical- and UV-resistant labeling and color



- A genuine innovation: The distinct, easily identifiable colors not only brighten up daily routine but also facilitate the sorting, storage, and labeling of samples

Extremely Rugged

g-safe®: efficient, reliable mixing and centrifugation

g-safe: That's a fact.

Our Deepwell Plates have been developed to withstand high levels of mixing and centrifugation. Try them for yourself: cracks, chipped corners and leaking wells are now a thing of the past.

These plates fit perfectly in swing-bucket and drum rotors, both in refrigerated and nonrefrigerated centrifuges. In Eppendorf Quality, DNA LoBind and Protein LoBind quality, Eppendorf Deepwell Plates 96 and 384 without adapters are stable up to 6,000 × g, in sterile quality they are stable up to 5,000 × g.*

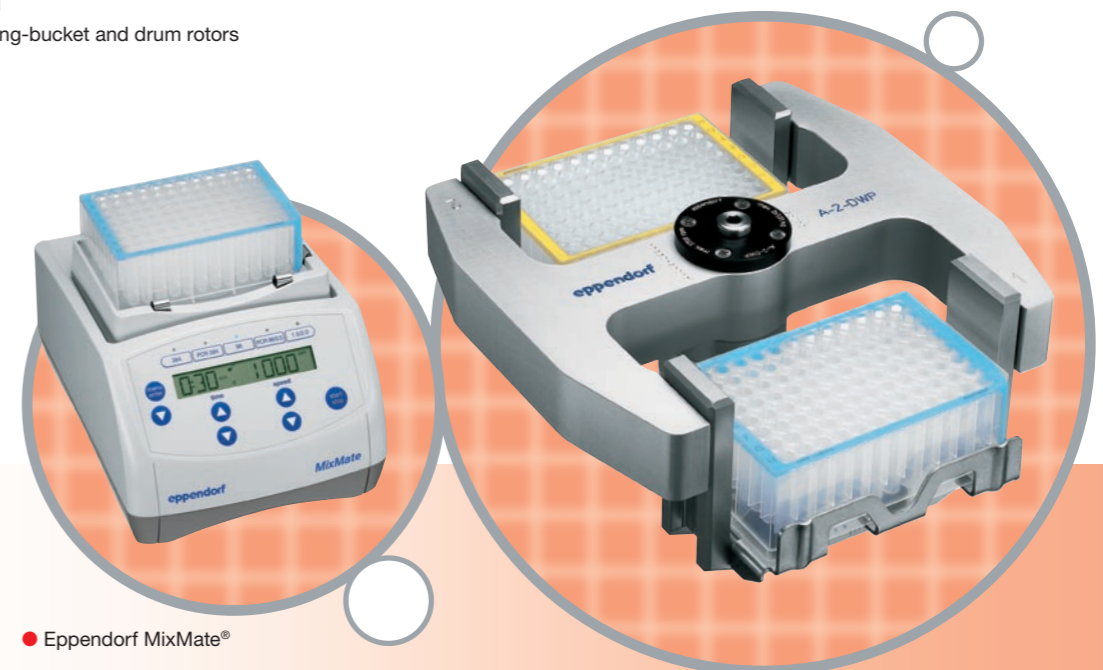
Because high gravitational fields, and therefore high loads, also occur when mixing, the high rigidity and dimensional stability of the plates as well as the optimized well design make them ideal for resuspending bacterial pellets and other precipitates after centrifugation. Cell disruption processes with steel beads are also possible.

Our new MixMate® is a compact benchtop mixer that has been specifically developed for the special demands of microplates. Eppendorf Deepwell Plates and MixMate form an ideal system for all plate mixing processes.

Product features of g-safe

- Centrifugation up to 6,000 × g without adapter*
- High dimensional stability
- Torsionally rigid
- Suitable for swing-bucket and drum rotors

- Rotor A-2-DWP



- Eppendorf MixMate®

*The centrifugation stability of any plate type is generally dependent on the plate itself, the centrifuge, rotor, rotor suspension gear, adapter, maximum rotation / maximum gravitational field (RCF), operating temperature, centrifugation time, density of centrifuged liquid, organic solvents, accumulated total weight, and correct operation. Please read the operating instructions before use. MixMate® is a registered trademark in Europe.

Work Automatically

Precision and stability for automated processes

Reliability as standard.

Eppendorf Deepwell Plates 96 and 384 are made of high-purity virgin polypropylene for complete compatibility with all standard pipetting robots as well as automated and high-throughput sample processing. Their DMSO, temperature and chemical resistance make them perfectly suited for reliable, safe and reproducible applications such as serial dilutions, sample and reagent transfer, nucleic acid extractions, assays, liquid reservoir and more.

The wells are designed to accommodate many different tips and tools, while the sturdy housing provides secure support for the grippers themselves. In addition, the **RecoverMax** design guarantees a tight seal with capmats, mats or foils.

Special attention was paid to the plate's stacking aspects. The plates are stacked, the bottoms of the top plate do not press upon the wells of the one below; therefore, foils are not dented, damage and contamination are avoided.

On request, Eppendorf Deepwell Plates 96 and 384 can also be supplied with different barcode labels.

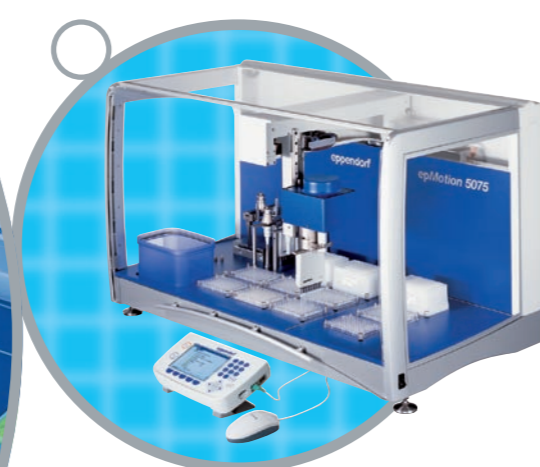
Family ties.

Eppendorf Deepwell Plates 96 and 384 are preinstalled into the Eppendorf epMotion 5070/5075 automated pipetting systems for immediate and reliable usage. On all models of the epMotion 5075, samples in the Deepwell Plate 96/1000 µl can be heated and cooled with the Thermoadapter DWP 96.

Robot compatibility

- Conforms to ANSI/SBS 1-2004 to 4-2004
- High-precision production
- Excellent dimensional stability
- Reliable sealing
- Available with various barcodes*
- High chemical and temperature resistance
- Minimal residual volumes

*More information under www.eppendorf.com/barcode



The Art of Sealing

Reliable and universal sealing options

Safety for your samples.

Valuable samples need safe and reliable storage. Another reason to use Eppendorf Deepwell Plates 96 and 384: Every well is of even height and their absolutely flat surfaces provide ideal conditions for manual and automated sealing (see table).

The plates can be easily repeatedly sealed and with **RecoverMax** design, undesirable wicking and contamination of adjacent wells is significantly reduced.

Sealing: simple and reliable

- High dimensional stability
- Flat, planar surface for effective sealing
- Multiple sealing possible
- Suitable for adhesive and heat sealing



- Reliable sealing without cross-contamination

Recommended sealing options for Eppendorf Deepwell Plates 96 and 384

Eppendorf Deepwell Plate	Adhesive seal	Heat sealing	Sealing mats
	● Self-adhesive	● Transparent	● Reusable
96/2000 µl 96/1000 µl 96/500 µl	Eppendorf Storage Film & Foil	Eppendorf Heat Sealing Film	Eppendorf Sealing Mats
384/200 µl	Eppendorf Storage Film & Foil	Eppendorf Heat Sealing Film	Sealing mats*

* Sealing mats recommended by other manufacturers

The winner takes it all!

DNA LoBind / Protein LoBind: maximum sample recovery

LoBind makes the Difference

When biological samples are stored or incubated in standard deepwell plates more than 90 % sample material can be lost within 24 hours due to adsorption to the plastic surface.

Eppendorf LoBind Deepwell Plates maximize sample recovery by significantly reducing sample-to-surface binding – without the use of any type of coating! A combination of specially developed technology and ultrapure selected polypropylene ensures best recovery rates of your valuable samples.

Product features & benefits LoBind

- LoBind material guarantees maximum sample recovery for improved assay results
- Free of surface coating (e. g. siliconization). Eliminates the risk of sample interference
- DNA LoBind for DNA or RNA applications in forensic analysis, microarrays, next generation sequencing
- Protein LoBind for protein, peptide, antibody or virus samples
- PCR clean quality batch tested and certified by an independent laboratory for reliable purity
- Available in tube and plate formats for varying sample numbers

● Typical protein recovery rates in Eppendorf Protein LoBind Deepwell Plates

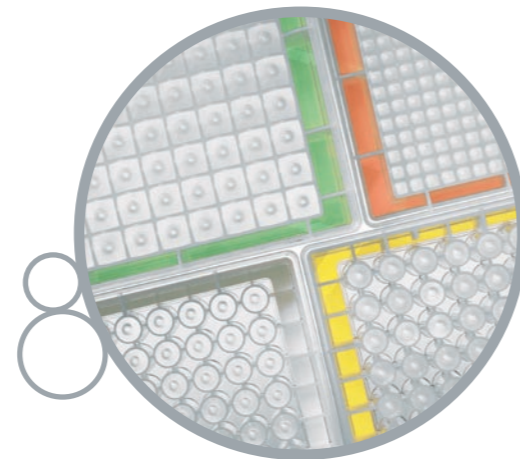
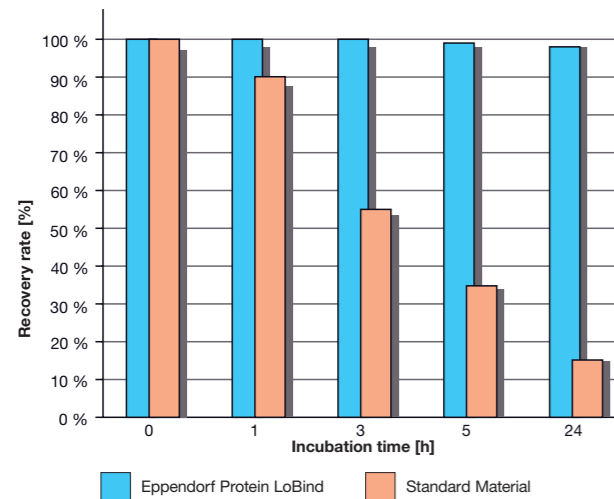


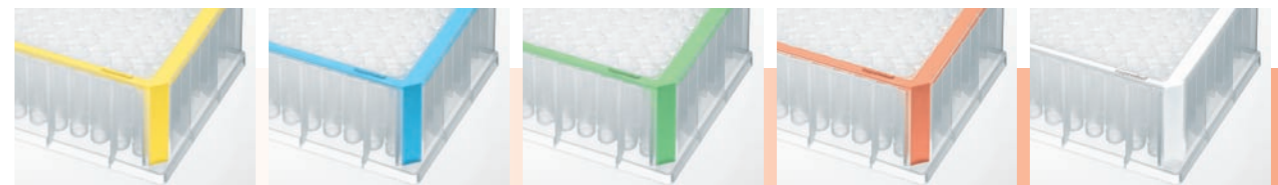
Fig.: Protein recovery (fluorescein-labeled BSA) in Eppendorf Protein LoBind Deepwell Plates and plates made of standard material. The Eppendorf Protein LoBind material guarantees up to 97 % sample recovery independent on incubation time. In contrast, protein sticks to standard material resulting in nearly 50 % or 90 % sample loss after 3 h or 24 h, respectively.

Eppendorf Deepwell Plates 96 and 384

Ordering information

Description	Quality	Color	Packaging	Order no.
Deepwell Plates 96/2000 µl				
Eppendorf Quality		white	20 plates (5 bags of 4)	0030 501.306
		yellow	20 plates (5 bags of 4)	0030 501.314
		red	20 plates (5 bags of 4)	0030 501.322
		green	20 plates (5 bags of 4)	0030 501.330
		blue	20 plates (5 bags of 4)	0030 501.349
Sterile		white	20 plates (5 bags of 4)	0030 502.302
		yellow	20 plates (5 bags of 4)	0030 502.310
		red	20 plates (5 bags of 4)	0030 502.329
		green	20 plates (5 bags of 4)	0030 502.337
		blue	20 plates (5 bags of 4)	0030 502.345
Protein LoBind		white	20 plates (5 bags of 4)	0030 504.305
Deepwell Plates 96/1000 µl				
Eppendorf Quality		white	20 plates (5 bags of 4)	0030 501.209
		yellow	20 plates (5 bags of 4)	0030 501.217
		red	20 plates (5 bags of 4)	0030 501.225
		green	20 plates (5 bags of 4)	0030 501.233
		blue	20 plates (5 bags of 4)	0030 501.241
Sterile		white	20 plates (5 bags of 4)	0030 502.205
		yellow	20 plates (5 bags of 4)	0030 502.213
		red	20 plates (5 bags of 4)	0030 502.221
		green	20 plates (5 bags of 4)	0030 502.230
		blue	20 plates (5 bags of 4)	0030 502.248
DNA LoBind (also for RNA and other nucleic acids)		white	20 plates (5 bags of 4)	0030 503.201
		yellow	20 plates (5 bags of 4)	0030 503.210
		red	20 plates (5 bags of 4)	0030 503.228
		green	20 plates (5 bags of 4)	0030 503.236
		blue	20 plates (5 bags of 4)	0030 503.244
Protein LoBind		white	20 plates (5 bags of 4)	0030 504.208
		yellow	20 plates (5 bags of 4)	0030 504.216
		red	20 plates (5 bags of 4)	0030 504.224
		green	20 plates (5 bags of 4)	0030 504.232
		blue	20 plates (5 bags of 4)	0030 504.240









Larger packs and barcoded Eppendorf Deepwell Plates are available upon request.



● Available in five border colors

Eppendorf Deepwell Plates 96 and 384

Ordering information

Description	Quality	Color	Packaging	Order no.
Deepwell Plates 96/500 µl				
Eppendorf Quality		white	40 plates (5 bags of 8)	0030 501.101
		yellow	40 plates (5 bags of 8)	0030 501.110
		red	40 plates (5 bags of 8)	0030 501.128
		green	40 plates (5 bags of 8)	0030 501.136
		blue	40 plates (5 bags of 8)	0030 501.144
Sterile		white	40 plates (5 bags of 8)	0030 502.108
		yellow	40 plates (5 bags of 8)	0030 502.116
		red	40 plates (5 bags of 8)	0030 502.124
		green	40 plates (5 bags of 8)	0030 502.132
		blue	40 plates (5 bags of 8)	0030 502.140
DNA LoBind (also for RNA and other nucleic acids)		white	40 plates (5 bags of 8)	0030 503.104
		yellow	40 plates (5 bags of 8)	0030 503.112
		red	40 plates (5 bags of 8)	0030 503.120
		green	40 plates (5 bags of 8)	0030 503.139
		blue	40 plates (5 bags of 8)	0030 503.147
Protein LoBind		white	40 plates (5 bags of 8)	0030 504.100
		yellow	40 plates (5 bags of 8)	0030 504.119
		red	40 plates (5 bags of 8)	0030 504.127
		green	40 plates (5 bags of 8)	0030 504.135
		blue	40 plates (5 bags of 8)	0030 504.143
Deepwell Plates 384/200 µl				
Eppendorf Quality		white	40 plates (5 bags of 8)	0030 521.102
		yellow	40 plates (5 bags of 8)	0030 521.110
		red	40 plates (5 bags of 8)	0030 521.129
		green	40 plates (5 bags of 8)	0030 521.137
		blue	40 plates (5 bags of 8)	0030 521.145
Sterile		white	40 plates (5 bags of 8)	0030 522.109
		yellow	40 plates (5 bags of 8)	0030 522.117
		red	40 plates (5 bags of 8)	0030 522.125
		green	40 plates (5 bags of 8)	0030 522.133
		blue	40 plates (5 bags of 8)	0030 522.141
DNA LoBind (also for RNA and other nucleic acids)		white	40 plates (5 bags of 8)	0030 523.105
		yellow	40 plates (5 bags of 8)	0030 523.113
		red	40 plates (5 bags of 8)	0030 523.121
		green	40 plates (5 bags of 8)	0030 523.130
		blue	40 plates (5 bags of 8)	0030 523.148
Protein LoBind		white	40 plates (5 bags of 8)	0030 524.101
		yellow	40 plates (5 bags of 8)	0030 524.110
		red	40 plates (5 bags of 8)	0030 524.128
		green	40 plates (5 bags of 8)	0030 524.136
		blue	40 plates (5 bags of 8)	0030 524.144

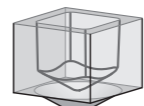
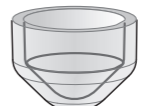
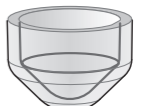
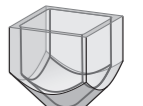
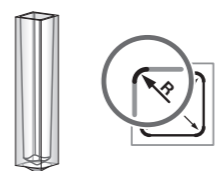


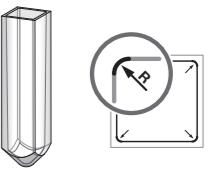
Larger packs and barcoded Eppendorf Deepwell Plates are available upon request.



● Available in five border colors

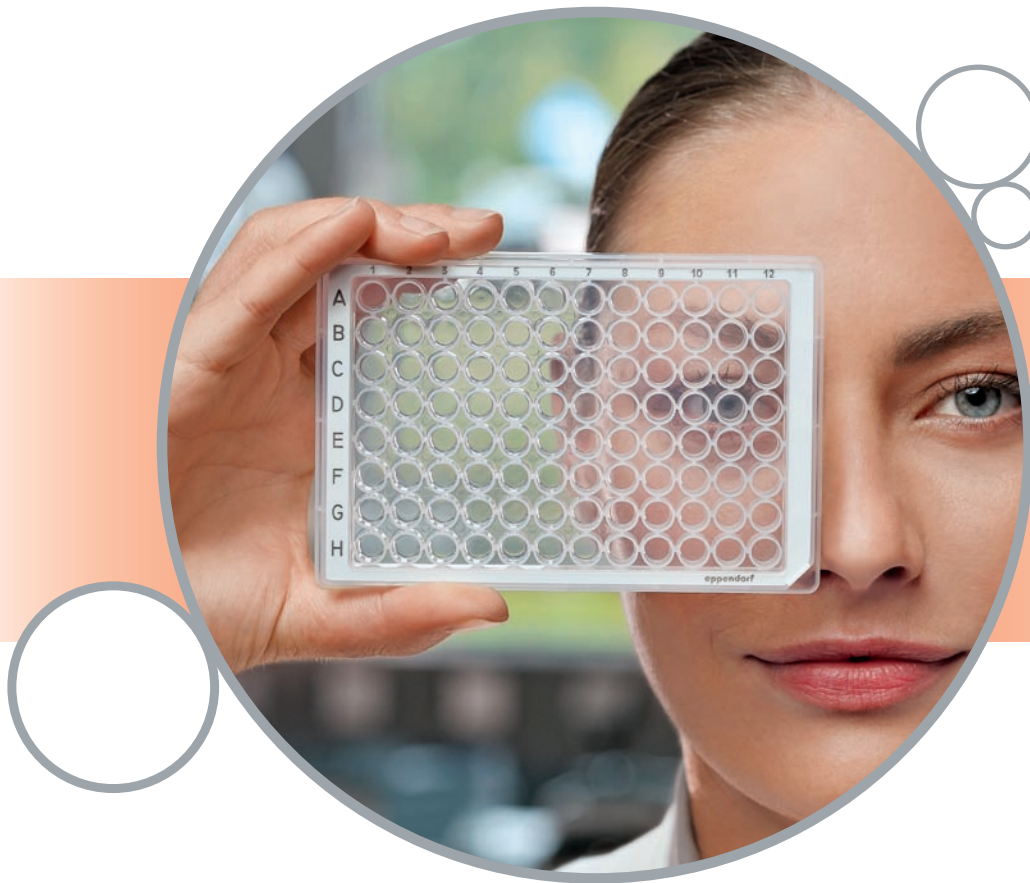
Eppendorf Deepwell Plates 96 and 384

Technical specifications

Eppendorf Deepwell Plates	384/200 µl	96/500 µl	96/1000 µl	96/2000 µl
Number of wells	384	96	96	96
Filling volume	20–225 µl	30–550 µl	30–1,000 µl	50–2,000 µl
Total volume	240 µl	700 µl	1,200 µl	2,400 µl
Shape of bottom				
Shape of well	 Rounded edges			 Rounded edges
Dimensions (W × D × H)	127.8 × 85.5 × 25.1 mm	127.8 × 85.5 × 27.1 mm	127.8 × 85.5 × 44.1 mm	127.8 × 85.5 × 44.1 mm

Recommended applications

Application	Eppendorf Deepwell Plates			
	384/200 µl	96/500 µl	96/1000 µl	96/2000 µl
Bacterial cultures	–	●	●	●
Yeast cultures	–	–	●	●
Plasmid purification	●	●	●	●
Genotyping	●	●	●	●
cDNA storage, storage of genome banks	●	●	●	●
Storage of cryocultures, e.g. cells/cell cultures	●	●	●	●
Storage of DNA, RNA, PCR products, proteins	●	●	●	●
Protein analysis	●	●	●	●
Active ingredient screening/combinatorial analysis	●	●	●	●
Storage/reservoir for crystallization components	–	●	●	●



... and for smaller Volumes:

Eppendorf Microplates 96 and 384

- Highly transparent Polypropylene
- OptiTrack Matrix
- Batch certified PCR clean and sterile quality
- Also available in black and white for fluorescence and luminescence detection

For more information visit:

www.eppendorf.com/microplates

eppendorf
In touch with life

Your local distributor: www.eppendorf.com/worldwide

Eppendorf AG · 22331 Hamburg · Germany · Tel: +49 40 538 01-0 · Fax: +49 40 538 01-556 · E-mail: eppendorf@eppendorf.com

Eppendorf North America, Inc. · 102 Motor Parkway, Suite 410 · Hauppauge, N.Y. 11788-5178 · USA

Tel: +1 516 334 7500 · Toll free phone: +1 800 645 3050 · Fax: +1 516 334 7506 · E-mail: info@eppendorf.com

Application Support Europe, International: Tel: +49 1803 666 789 · E-mail: support@eppendorf.com

North America: Tel: +1 800 645 3050 menu option 2 · E-mail: techserv@eppendorf.com

Asia Pacific: Tel: +603 8023 6869 · E-mail: support_asiapacific@eppendorf.com